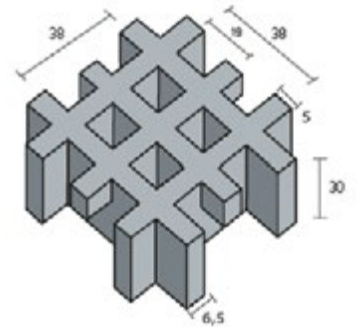


Gratings 19 x 19 x h30 Technical data sheet

Properties

Bar Thickness (top-bottom)	5 / 6,5	
Mesh Size	19 x 19 / 38 x 38	
Open Area	44%	
Weight per m ²	~21 kg/m ²	
Surface	Concave, Gritted	
Standard Panel Size (mm)	1225 x 3665 (for further sizes, please ask.)	
Fiber Content (ISO 1172)	~30%	
Tolerance (mm)	For full panels: 1-3 mm	For cut sizes: + - 7 mm



Standard Resin

Resin Base	Description	Flame spread rating ASTM E84
Ortho-phthalic (standard)	Industrial grade corrosion resistance & fire retardant	Class 1,25 or less
Phenolic	Low smoke and superior fire resistance	Class 1,5 or less
Vinyl Ester	Superior chemical resistance & fire retardant	Class 1,25 or less

Product certificates

Approval in renewable energy:	DNVGL-SE-0436
Type approval – Glass fibre rovings:	DNVGL-CP-0082
Type and component certification of wind turbines:	DNVGL-SE-0441
Quality system:	ISO 9001:2015
FRP materials & production certificates:	TSE K 439 + DIN24537
Approval of resins for use in construction by Lloyd's Register:	POLIPOL 3872 A, POLIPOL 3872 T, POLIPOL 3872 TA, POLIPOL 3872 LSE.

Slip resistance level

Real Safety's solutions are all classified with the highest scores as **R13**.

DIN 51130/Class	R9	R10	R11	R12	R13
Slip angle (°)	6-10	10-19	19-27	27-35	>35
Slip Resistance	Very Low	Low	Medium	High	Very High

19 x 19 x h30 Uniformly Distributed Load Deflection Table

Span (mm)	Load (U=kN/m ²)										Safe Load (5:1 Safety Factor)
	2,4	4,8	7,2	9,6	12	14,4	19,2	24	48	96	
300	<0,25	<0,25	<0,25	<0,25	<0,25	0,25	0,51	0,51	1,02	2,29	169,973
450	0,25	0,51	0,51	0,76	1,02	1,27	1,52	2,03	3,81	7,87	75,51
600	0,51	1,02	1,78	2,29	2,79	3,18	4,06	5,59	10,92	-	42,47
750	1,27	2,54	4,06	5,33	-	-	-	-	-	-	27,72
900	2,54	5,33	-	-	-	-	-	-	-	-	18,86
1050	12,60	-	-	-	-	-	-	-	-	-	13,89
1200	-	-	-	-	-	-	-	-	-	-	-
1500	-	-	-	-	-	-	-	-	-	-	-

19 x 19 x h30 Concentrated Line Load Deflection Table

Span (mm)	Load (C=kg/m)										Safe Load (5:1 Safety Factor)
	2,4	4,8	7,2	9,6	12	14,4	19,2	24	48	96	
300	0,25	0,25	0,25	0,51	0,51	1,02	1,02	1,02	1,78	3,56	84,99
450	0,25	0,51	0,51	0,76	1,02	1,32	1,55	2,03	4,06	8,38	56,64
600	0,51	0,76	1,27	1,78	2,29	3,05	3,56	4,32	8,89	-	42,47
750	0,76	1,78	2,54	3,30	-	-	-	-	-	-	33,99
900	1,52	2,79	-	-	-	-	-	-	-	-	28,30
1050	5,60	-	-	-	-	-	-	-	-	-	24,28
1200	-	-	-	-	-	-	-	-	-	-	-
1500	-	-	-	-	-	-	-	-	-	-	-