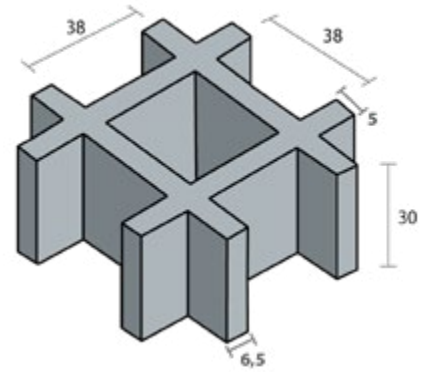


Gratings 38 x 38 x h30 Technical data sheet

Properties

Bar Thickness (top-bottom)	5 / 6,5	
Mesh Size	38 x 38	
Open Area	68%	
Weight per m²	~13,5 kg/m ²	
Surface	Concave, Gritted	
Standard Panel Size (mm)	1225 x 3665 (for further sizes, please ask.)	
Fiber Content (ISO 1172)	~30%	
Tolerance (mm)	For full panels: 1-3 mm	For cut sizes: + - 7 mm



Standard Resin

Resin Base	Description	Flame spread rating ASTM E84
Ortho-phthalic (standard)	Industrial grade corrosion resistance & fire retardant	Class 1,25 or less
Phenolic	Low smoke and superior fire resistance	Class 1,5 or less
Vinyl Ester	Superior corrosion resistance & fire retardant	Class 1,25 or less

Product certificates

Approval in renewable energy:	DNVGL-SE-0436
Type approval – Glass fibre rovings:	DNVGL-CP-0082
Type and component certification of wind turbines:	DNVGL-SE-0441
Quality system:	ISO 9001:2015
FRP materials & production certificates:	TSE K 439 + DIN24537
Approval of resins for use in construction by Lloyd's Register:	POLIPOL 3872 A, POLIPOL 3872 T, POLIPOL 3872 TA, POLIPOL 3872 LSE.

38 x 38 x h30 Uniformly Distributed Load Deflection Table

Span (mm)	Load (U=kN/m ²)										Safe Load (5:1 Safety Factor)
	2,4	4,8	7,2	9,6	12	14,4	19,2	24	48	96	
300	<0,25	<0,25	<0,25	0,25	0,25	0,76	0,76	0,76	1,27	2,54	135,60
450	0,25	0,51	0,76	1,02	1,27	1,52	1,78	2,79	5,33	10,92	60,28
600	0,76	1,52	2,29	3,05	3,81	4,57	5,08	7,87	15,49	-	33,90
750	1,78	3,81	5,59	7,37	9,40	11,43	12,70	17,78	-	-	21,69
900	3,81	7,62	11,43	15,42	18,29	20,07	21,59	-	-	-	15,08
1050	6,86	13,72	-	-	-	-	-	-	-	-	11,06
1200	-	-	-	-	-	-	-	-	-	-	-
1500	-	-	-	-	-	-	-	-	-	-	-

38 x 38 x h30 Concentrated Line Load Deflection Table

Span (mm)	Load (C=kg/m)										Safe Load (5:1 Safety Factor)
	2,4	4,8	7,2	9,6	12	14,4	19,2	24	48	96	
300	0,25	0,25	0,25	0,51	0,51	1,02	1,52	1,78	2,03	4,32	67,80
450	0,25	0,51	0,76	1,27	1,52	2,32	2,59	2,79	5,84	11,17	45,20
600	0,51	1,27	1,78	2,54	3,05	3,05	4,57	6,10	12,45	-	33,90
750	1,27	2,29	3,56	4,83	5,84	7,49	9,14	11,94	-	-	27,10
900	2,03	4,06	6,10	8,13	10,16	-	-	-	-	-	22,60
1050	3,05	6,35	9,40	12,70	15,75	-	-	-	-	-	19,34
1200	-	-	-	-	-	-	-	-	-	-	-
1500	-	-	-	-	-	-	-	-	-	-	-