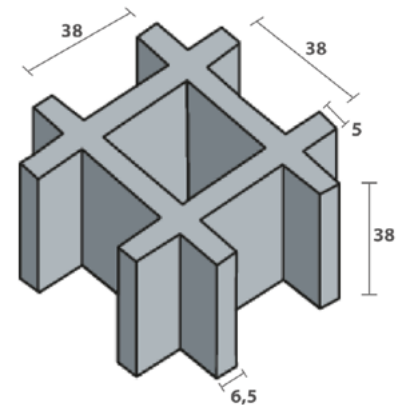


Gratings 38 x 38 x h38 Technical data sheet

Properties

Bar Thickness (top-bottom)	5 / 6,5
Mesh Size	38 x 38
Open Area	68%
Weight per m ²	~17,5 kg/m ²
Surface	Concave, Gritted
Standard Panel Size (mm)	1225 x 3665 (for further sizes, please ask.)
Fiber Content (ISO 1172)	~30%
Tolerance (mm)	1 - 3



Standard Resin

Resin Base	Description	Flame spread rating ASTM E84
Ortho-phthalic (standard)	Industrial grade corrosion resistance & fire retardant	Class 1,25 or less
Phenolic	Low smoke and superior fire resistance	Class 1,5 or less
Vinyl Ester	Superior corrosion resistance & fire retardant	Class 1,25 or less

Product certificates

Approval in renewable energy:	DNVGL-SE-0436
Type approval – Glass fibre rovings:	DNVGL-CP-0082
Type and component certification of wind turbines:	DNVGL-SE-0441
Quality system:	ISO 9001:2015
FRP materials & production certificates:	TSE K 439 + DIN24537
Approval of resins for use in construction by Lloyd's Register:	POLIPOL 3872 A, POLIPOL 3872 T, POLIPOL 3872 TA, POLIPOL 3872 LSE.

38 x 38 x h38 Uniformly Distributed Load Deflection Table

Span (mm)	Load (U=kN/m ²)										Safe Load (5:1 Safety Factor)
	2,4	4,8	7,2	9,6	12	14,4	19,2	24	48	96	
300	<0,25	<0,25	<0,25	<0,25	0,25	0,28	0,36	0,46	1,02	2,27	149,39
450	0,25	0,36	0,53	0,71	0,91	1,09	1,45	1,08	2,84	5,53	66,36
600	0,53	1,07	1,60	2,13	2,64	3,18	4,24	5,31	12,41	-	37,35
750	1,19	2,39	3,58	4,78	5,97	9,58	9,58	-	-	-	23,75
900	2,44	4,88	7,32	9,75	12,19	-	-	-	-	-	16,61
1050	4,45	8,89	13,34	-	-	-	-	-	-	-	12,02
1200	7,29	14,55	-	-	-	-	-	-	-	-	8,14
1500	-	-	-	-	-	-	-	-	-	-	-

38 x 38 x h38 Concentrated Line Load Deflection Table

Span (mm)	Load (C=kg/m)										Safe Load (5:1 Safety Factor)
	2,4	4,8	7,2	9,6	12	14,4	19,2	24	48	96	
300	<0,25	<0,25	<0,25	0,28	0,36	0,43	0,58	0,71	1,28	2,29	74,69
450	0,25	0,38	0,58	0,76	0,97	1,17	1,55	1,93	2,79	5,93	49,80
600	0,43	0,84	1,27	1,70	2,13	2,54	3,40	4,24	5,84	-	37,35
750	0,76	1,52	2,29	3,07	3,84	4,58	6,12	-	-	-	29,69
900	1,30	2,59	3,91	5,21	6,50	-	-	-	-	-	24,90
1050	2,03	4,06	6,10	-	-	-	-	-	-	-	21,07
1200	2,92	5,82	-	-	-	-	-	-	-	-	16,28
1500	-	-	-	-	-	-	-	-	-	-	-