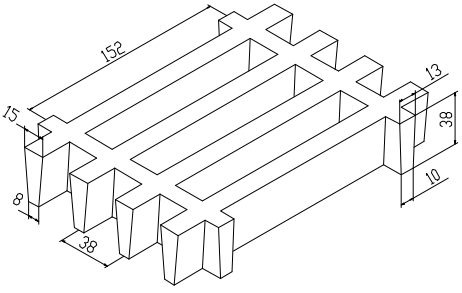


SCH152/38_PH_L2

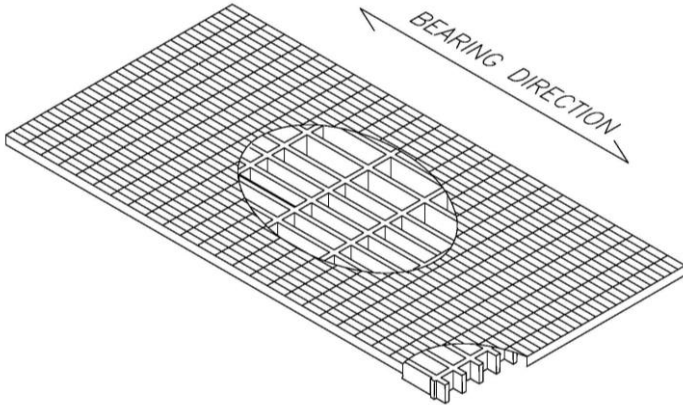
05.06.2018 - Rev. 0

L2 grating (According to ASTM F3059 norm's list)

Mesh	38 x 152 mm			
Clear span	20 x 138 mm			
Height	38 mm			
Bar thickness	Bearing bar	15.6 mm	upper part	
		8 mm	bottom part	
	Cross bar	13 mm	upper part	
		10 mm	bottom part	
Color	BROWN			

Raw materials	PHENOLIC Resin	
	Roving glass fiber type "E"	

Resin type	Modulus of elasticity	Ultimate stress
PHENOLIC	17000 MPa	280 MPa

Standard panels		
1220 x 3660 mm		
Weight 20 kg/m ²		
tolerance		
	± 2 mm height	

Surface	G	GRITTED	Antiskid level R13 V10 norm DIN 51130
			test report "Centro Ceramico Bologna" n. 5782/03

REACTION TO FIRE	IMO FTPC Part 5 for low flame spread
	test report "SGS" n. SHIN1508038125PS

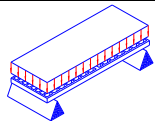
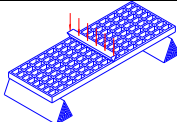
SMOKE EMISSION	IMO FTPC Part 2 for smoke and toxicity
	test report "SGS" n. SCHIN1508038126PS

FIRE INTEGRITY	LEVEL 2 (L2) STRUCTURAL INTEGRITY – ASTM F3059 point 17
	test report "SWRI" n. 01.22384.01.310 a

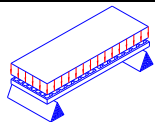
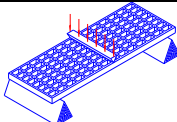
Loads

MAXIMUM SUGGESTED LOADS

Type of support	Continuous on two edges of the panel
Limits determined by	Deflection (load sagging)
the maximum deflection admitted , is 1/200 of the distance between the supports	
According to the standard DIN 24537-3 deviation due to the load may be no more than 1/200 of the land width and the difference in height between neighbouring joints between loaded and unloaded floor coverings may be no more than 4 mm.	

DISTRIBUTED LOAD			CONCENTRATED LOAD		
					
Distance between supports	Load with deflection equal to 1/200	Load with deflection equal to 1/100	Distance between supports	Load with deflection equal to 1/200	Load with deflection equal to 1/100
[cm]	[kg/m ²]		[cm]	[kg/m]	
60	3700	7450	60	1400	2800
80	1550	3150	80	750	1550
100	800	1600	100	500	1000
120	450	900	120	350	700
All lighter loads are admitted					

Limits determined by	Admissible stresses (stress determined by the load)
the maximum admissible stress is 1/5 of the ultimate stress (safety factor is equal to 0.20 – the ultimate stress is 5 times the specified load)	

DISTRIBUTED LOAD		CONCENTRATED LOAD		
				
Distance between supports	Maximum admissible load		Distance between supports	Maximum admissible load
[cm]	[kg/m ²]		[cm]	[kg/m]
60	7550		60	2250
80	4250		80	1700
100	2700		100	1350
120	1850		120	1100
All lighter loads are admitted				

- The above characteristics are meant as reference values for standard material in ambient working temperature. Even if they are not to be considered as guaranteed characteristics they are based on our experience and are supplied in good faith.
- According to the standard DIN 24537-3 the conversion safety factor should be 0.75 for internal environmental exposure conditions, 0.65 for external exposure conditions, and 0.50 for aggressive exposure conditions.
- No matter which are the exposure conditions, chemical resistance must be always verified by contacting Real Safety technical department.
- In case of heavy duty load compressive strength must be verified.